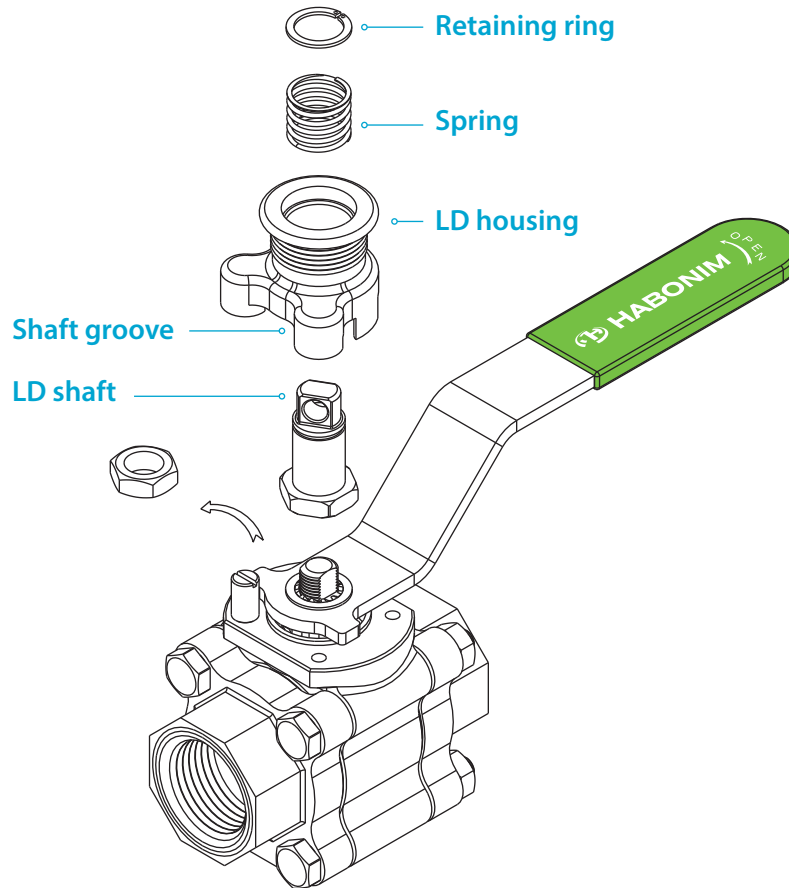


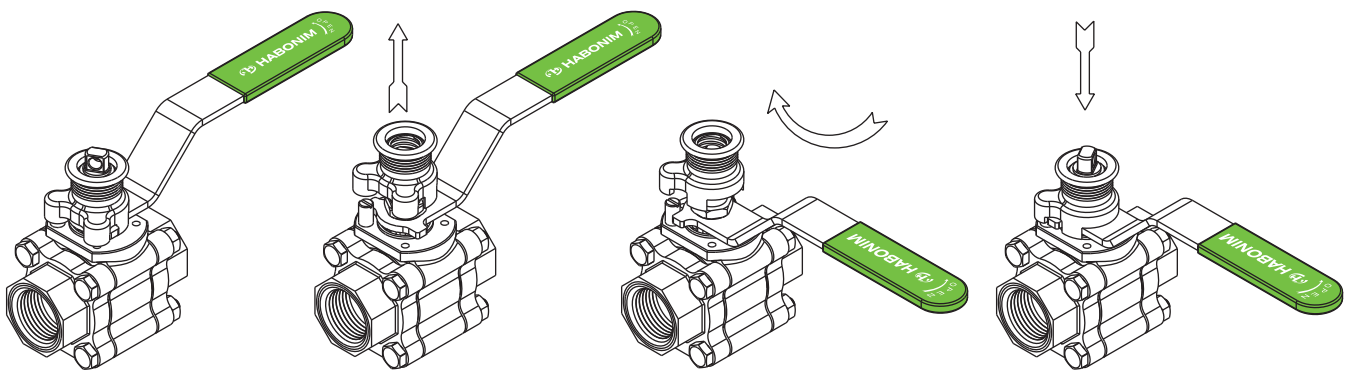
Locking device

Compare to standard sliding plate locking devices which are commonly used in the market, this unique spring loaded design maintain the valve in the close or open position at any installation orientation of the valve in the pipework. The Habonim LD allows the use of maximum 6 mm pad lock.

Locking device assembly for valves with ISO 5211 top mounting pad



Locking device operation



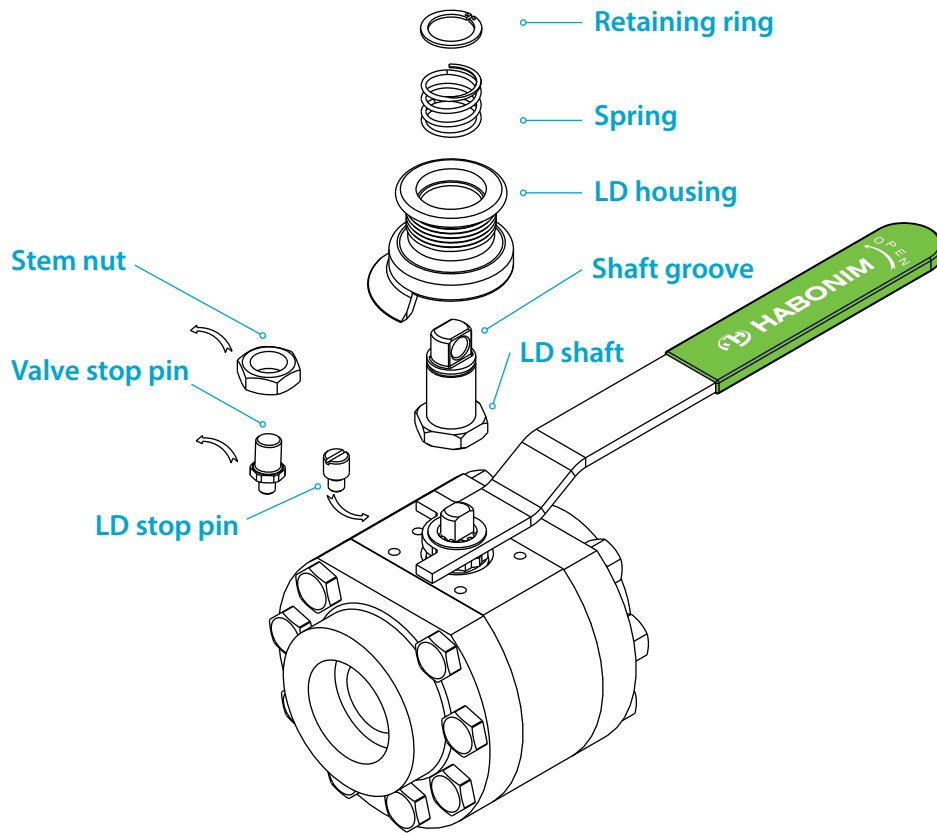
Valve locked in open position

Lift LD housing above valve stop

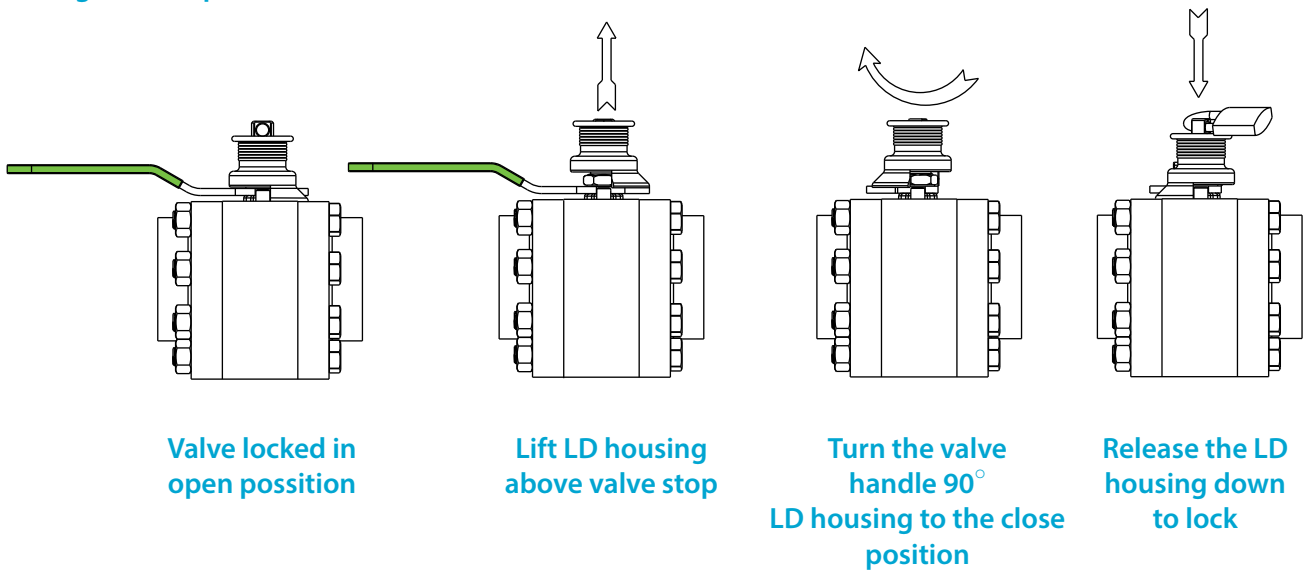
Turn the valve handle 90° LD housing to the close position

Release the LD housing down to lock

Locking device assembly for valves without ISO 5211 top mounting pad



Locking device operation



Valve locked in open position

Lift LD housing above valve stop

Turn the valve handle 90° LD housing to the close position

Release the LD housing down to lock