

Valve accessories

Locking device

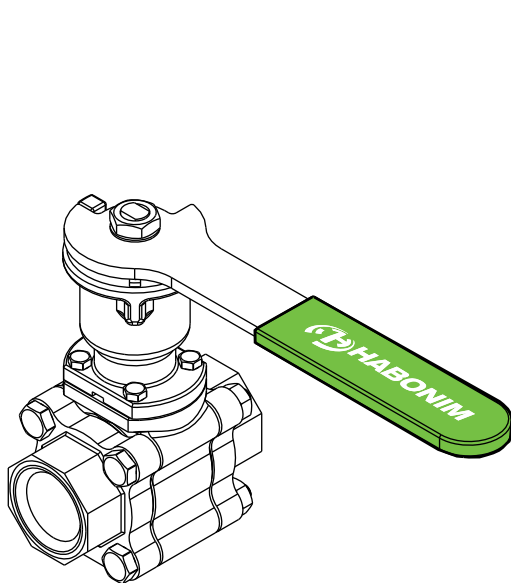
Fugitive Emission (FE)

Spring Return Handle (SRH)

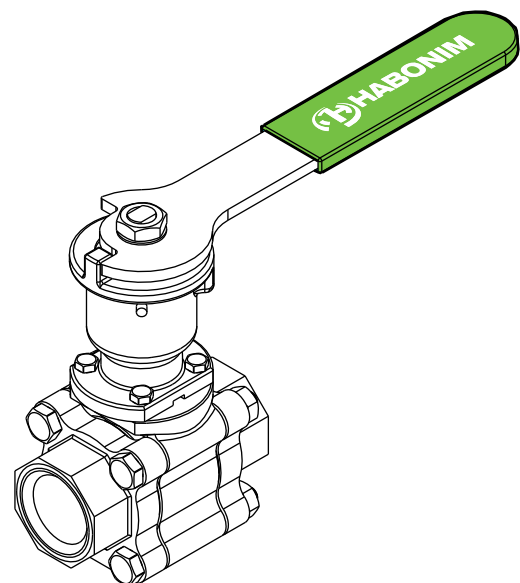
Spring Return Handle 'SRH'

Technical Summary

Size range	½" - 1¼" (DN15 - DN32) Standard port, ½" - 1" (DN15-DN25) Full Bore
Features	Provides dependable automatic closing or opening of manual valves
Services	Water, gas, steam, chemicals, solvents
Applications	Sampling, by-pass, steam letdown, draining, pressure relief
Stroke End Output Torque	11 Nm (97 in-lb)
Materials	Stainless Steel
Connection	Direct mount on top of Habonim valve ISO 5211 pad
Safety Features	Tamper proof spring loaded unit for direct assembly to valve
Other Features	Fail to close, fail to open, optional locking device, compact size, leak detection & drain holes, rugged construction



Fail Close Assembly



Fail Open Assembly



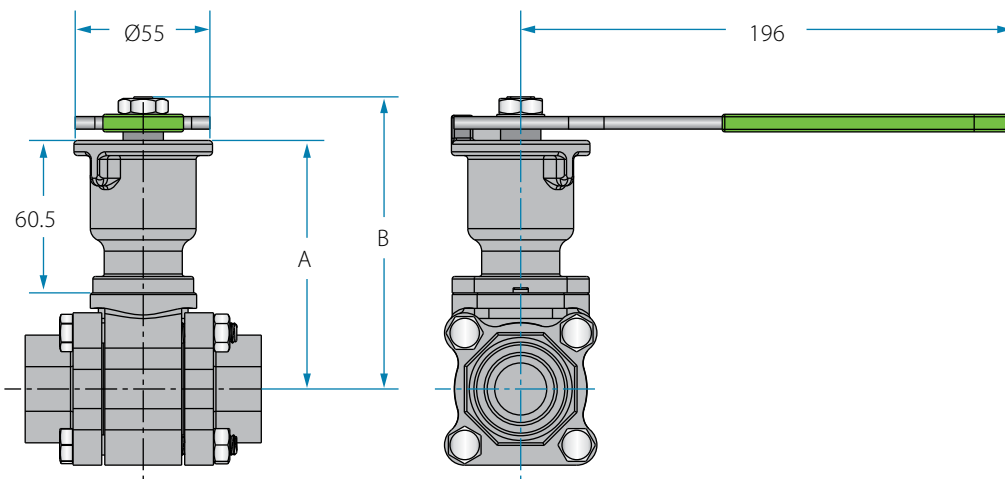
Valve dimensions

Three Piece Valve Assembly

In-Line Assembly: The SRH can be fitted on valves in line without shutting down the system or removing the valve from the line.

CAUTION! While operating the spring loaded device, hold lever firmly and release gently. Slamming the unit might cause human injuries or handle deformation.

Valve size		A	B
DN15	mm	89.50	106.80
1/2"	inch	3.52	4.20
DN20	mm	91.90	109.20
3/4"	inch	3.62	4.30
DN25	mm	98.70	116.00
1"	inch	3.89	4.57
DN32	mm	103.20	120.50
1 1/4"	inch	4.06	4.74



Components & materials

Item	Description	Material specification	Qty.
1	Body housing	Stainless St. ASTM A351 CF8M	1
2	Bottom bearing	PTFE	1
3	Spring	Spring Steel ASTM A401	1
4	Stem	Stainless Steel 17-4 PH	1
5	Top bearing	BRASS ASTM B121	1
6	Locking clip	A167 304	1
7	Handle	Stainless Steel AISI 430	1
8	Serrated washer	A240 410	1
9	Handle nut	Stainless Steel 316 ASTM A194	1
10	Handle sleeve	PVC	1
11	Housing screws	Stainless Steel A2-70 ISO 4014	4

