

**BALANCED PRESSURE
THERMOSTATIC STEAM TRAP
Clean Steam Trap TSS7
(1/2" – 1" ASME BPE)**

DESCRIPTION

The TSS7 all stainless steel thermostatic steam traps and air vents are specifically designed for use in reactors, sterilizers and distribution lines in clean and pure steam systems. Their small size makes them ideal for use with a wide variety of these equipments.

MAIN FEATURES

Modulating discharge.
Wide range of connections options.
Excellent air discharge.
Simple and compact design.

STANDARD SURFACE FINISH

Internal wetted parts: ≤ 0,51micron Ra – SF1.
External: ≤ 0,76 micron Ra – SF3.
Other surface conditions see IS PV20.00 E – Technical information.
Ultrasonic cleaning.

OPTIONS: Special designs under request.

USE: Saturated clean steam.

AVAILABLE MODELS: TSS7.

SIZES: 1/2", 3/4" and 1".

CONNECTIONS: ASME BPE.
Clamp ferrules or others on request.

PACKAGING: Assembling and packaging in a clean room certified according to ISO 14644-1.
The product is end capped and sealed with recyclable thermo-shrinkable plastic film, to avoid contamination.

INSTALLATION: Vertical installation.

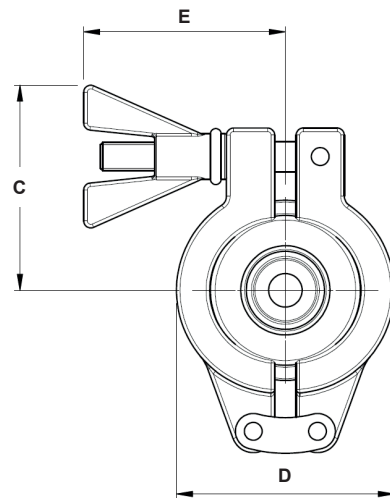
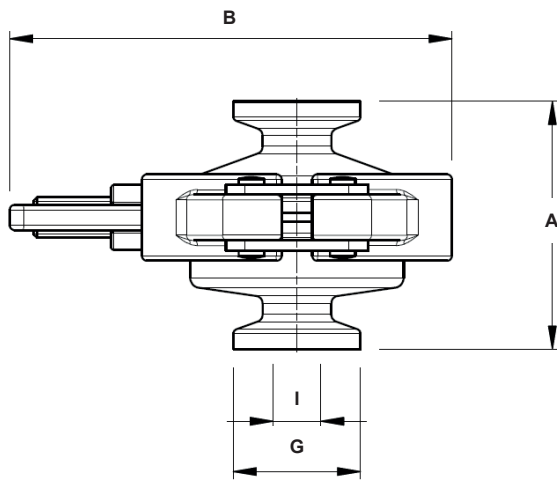


LIMITING CONDITIONS	
PMA – Maximum allowable pressure	10 bar
TMA – Maximum allowable temperature	177 °C
PMO – Maximum operating pressure	6 bar
TMO – Maximum operating temperature	165 °C

FLOW RATE CAPACITY (kg/h)										
MODEL	SIZE	DIFFERENTIAL PRESSURE (bar)								
		0,2	0,3	0,5	1	1,5	2	3	4	6
TSS7 (A)	1/2" to 1"	73	92	177	269	334	468	730	792	900
TSS7 (B)	1/2" to 1"	398	475	574	656	745	820	944	1190	1436

A = Condensate discharge at 5 °C below saturation temperature. **B** = Cold water capacity around 20 °C.

DIMENSIONS



DIMENSIONS (mm) ASME BPE

SIZE	A	B	C	D	E	G	I	WEIGHT (kg)
1/2"	49	87	57,5	61	56,5	25	9,4	0,6
3/4"	49	87	57,5	61	56,5	25	15,75	0,6
1"	53	87	57,5	61	56,5	50,5	22,1	0,7

MATERIALS

MATERIALS		
POS. N°	DESIGNATION	MATERIAL
1	Body	AISI 316L / 1.4404
2	Cover	AISI 316L / 1.4404
3	* Thermostat	AISI 316L / 1.4404
4	* Gasket	PTFE / TFM® Envelope gasket
5	Safety clamp	AISI 316 / 1.4401

* Available spare parts.

Remarks: FDA / USP Class VI seals certificate on request.

