

Verderair

VA80 (HE) metallic



VERDERAIR®

Description

The VA80 (HE) metallic double diaphragm pumps are excellent pumps for use in a wide range of applications across many industries. Those pumps are using the modern technology to make them the most efficient on the market! The air section is available in aluminium or plastic, the pump body is available in 3 different materials and there are 8 different materials available for the diaphragms. This makes it possible to select the best solution for your application.

Your benefits

- Energy efficient
- Less downtime
- Easy to install, operate and maintain
- Ant-ice muffler
- Free of air lubrication
- Non-stalling air valve
- Can run-dry without damage
- Dry self-priming

Technical data			
Weight [kg]	Fluid & air section	AA	68
		SA	116
		SP	116
Max. suction lift [mwc]		Dry	2,4
		Wet	8,5
Temperature [°C]	Fluid section	Internals	
	All materials	AC, BN	-12 82
		GE	-40 66
		NO, NW, NE	-18 82
		PP	0 66
		SP	-40 82
		TF	4 104
	VT	-40 135*	
Max. Particle size [mm]			13
Max. recommended viscosity (mPas)			25000

* in non explosive environments 160°C is possible

Code	VA80	No.1	No.2	No.3	No.4.	No.5	No.6	No.7
		No.1 Fluid section						
⚠		A = Aluminium				VT = Viton (FKM)		
⚠		S = Stainless Steel						
		No.2 Air section				No. 4 Check valve balls		
⚠		A = Aluminium				AC = Acetal		
		P = Polypropylene				BN = Buna-N		
		No.3 Check valve seats				GE = Geolast		
		AL = Aluminium				HY = Hytrel (TPE)		
		BN = Buna-N				SP = Santoprene		
		GE = Geolast				VT = Viton (FKM)		
		HY = Hytrel (TPE)				TF = PTFE		
		SP = Santoprene				NE = Neoprene		
		SS = Stainless Steel				NW = Neoprene Weighted		
						No.5 Diaphragms		
						BN = Buna-N		
							No. 6 Connections	
							TB = Threaded BSP*	
							TN = Threaded NPT*	
							No. 7 Options	
							OO = Standard	
							SS = Stroke sensor	

EXAMPLE PUMP TYPE

VA80AA AL GE GE TB OO

NOTE not all combinations are available

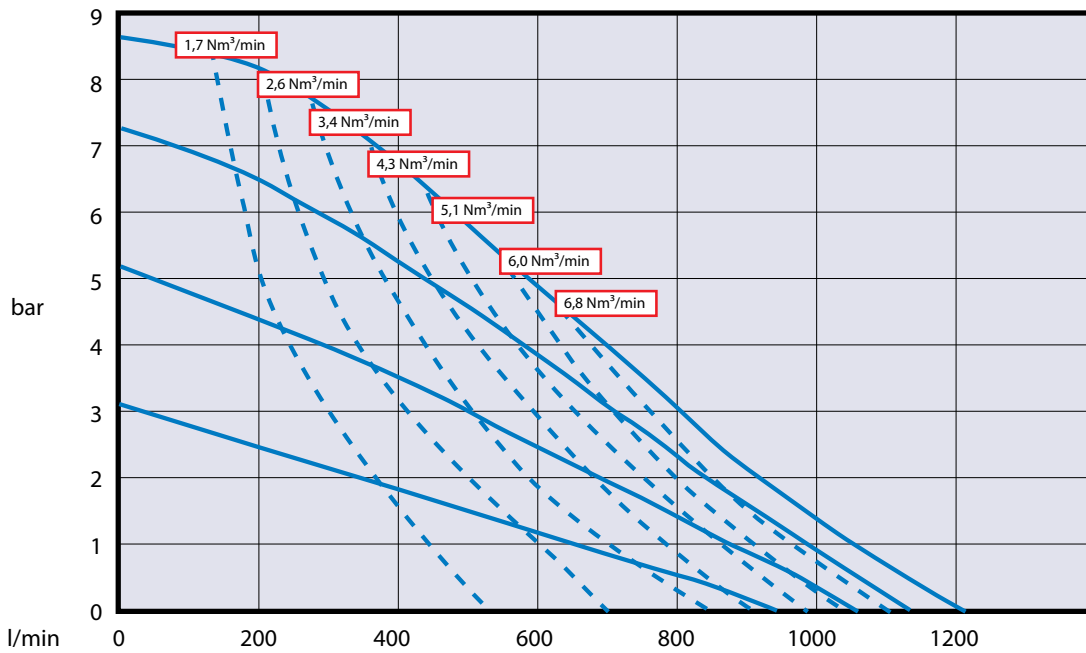
⚠ II 2 GD c IIC T4

Verderair

VA80 (HE) metallic



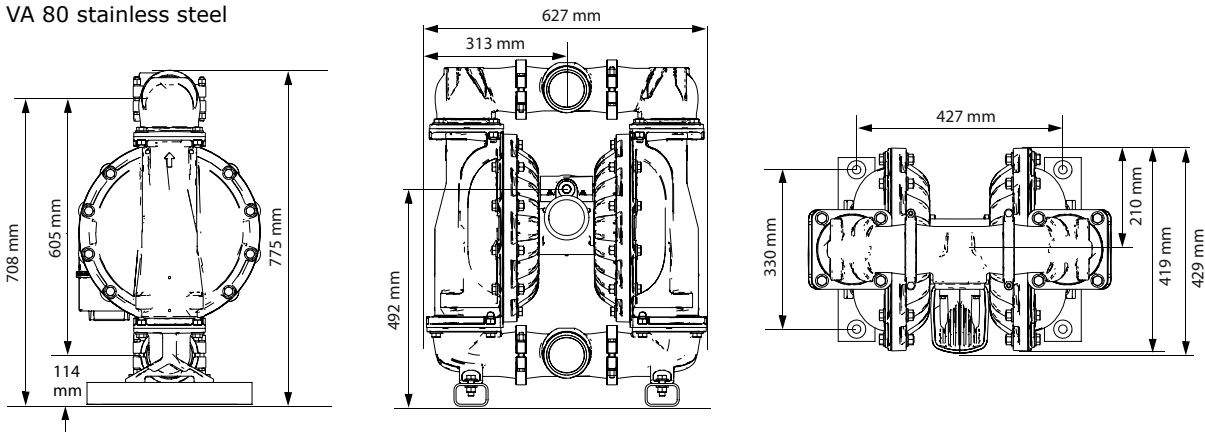
VERDERAIR®



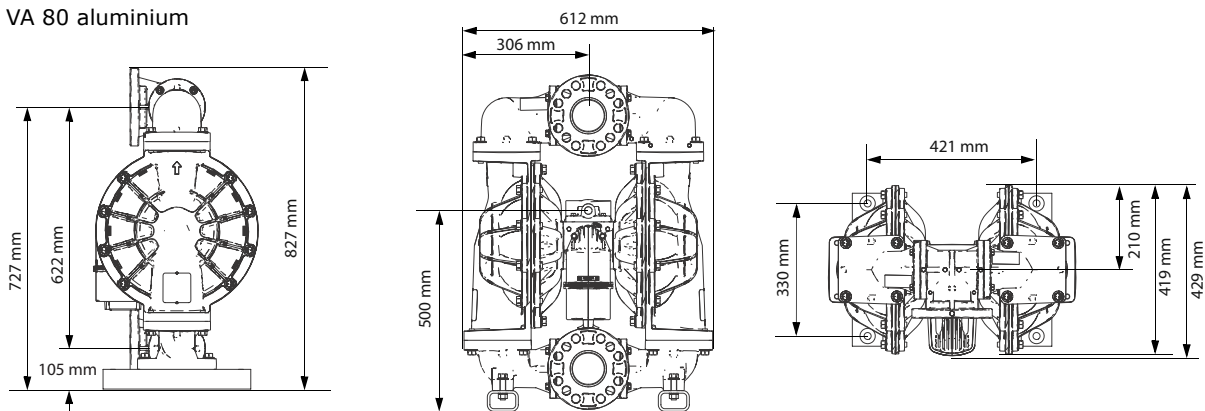
Air consumption

Measured with water of 20°C

VA 80 stainless steel



VA 80 aluminium



All dimensions are in mm.
All dimensions are for guidance only.

VA80met_Technosheet_rev02_2015_(eu)

Find your local supplier
at www.verderair.com

For construction, installation and floor mounting drawings
please contact your local authorised Verderair® distributor.

VERDER
passion for pumps

