

VERDERAIR

VA50 metallic

Description

The VA50 metallic double diaphragm pumps are excellent pumps for use in a wide range of applications across many industries. The reliability of those pumps and especially the air valves, have been proven in many industries since many years. The pumps are available in 3 different materials for the pump body and 7 different materials for the diaphragms. This makes it possible to select the best solution for your application.

Your benefits

- Easy to install, operate and maintain
- Less downtime
- Free of air lubrication
- Non-stalling air valve
- Can run-dry without damage
- Dry self-priming



| Technical data | | | | |
|-----------------------------------|---------------------|--------------------|-------|----|
| Weight [kg] | Fluid & air section | AA | 26,3 | |
| | | SA | 50,3 | |
| | | IA | 59 | |
| | | SS | 61 | |
| Max. suction lift [mwc] | | Dry | 2,5 | |
| | | Wet | 5,5 | |
| Temperature [°C] | Fluid section | Internals | | |
| | A, S, I | BN, GE, HY, SP, TO | 5 | 65 |
| | A, S, I | TF, VT | 5 | 93 |
| Max. Particle size [mm] | | | 6,3 | |
| Max. recommended viscosity (mPas) | | | 20000 | |

Code VA50 No.1 No.2 No.3 No.4. No.5 No.6 No.7

No.1 Fluid section

- ⊗ A = Aluminium
- ⊗ I = Cast Iron
- ⊗ S = Stainless Steel

No.2 Air section

- A = Aluminium
- S = Stainless Steel

No.3 Check valve seats

- BN = Buna-N
- GE = Geolast
- HS = Hardened Stainless Steel
- HY = Hytrel (TPE)
- SP = Santoprene

- SS = Stainless Steel
- VT = Viton (FKM)

No. 4 Check valve balls

- AC = Acetal
- BN = Buna-N
- GE = Geolast
- HS = Hardened Stainless Steel
- HY = Hytrel (TPE)
- SP = Santoprene
- TF = Teflon
- VT = Viton (FKM)

No.5 Diaphragms

- BN = Buna-N

- GE = Geolast
- HY = Hytrel (TPE)
- SP = Santoprene
- TF = PTFE/Santoprene 2 piece
- TO = PTFE/EPDM overmolded
- VT = Viton (FKM)

No. 6 Connections

- TB = Threated BSP, 2"
- TN = Threated NPT, 2"
- FC = Flanged DIN/ANSI, DN50

No. 7 Options

- OO = Standard
- EX = Extended
- RE = Remote

EXAMPLE PUMP TYPE

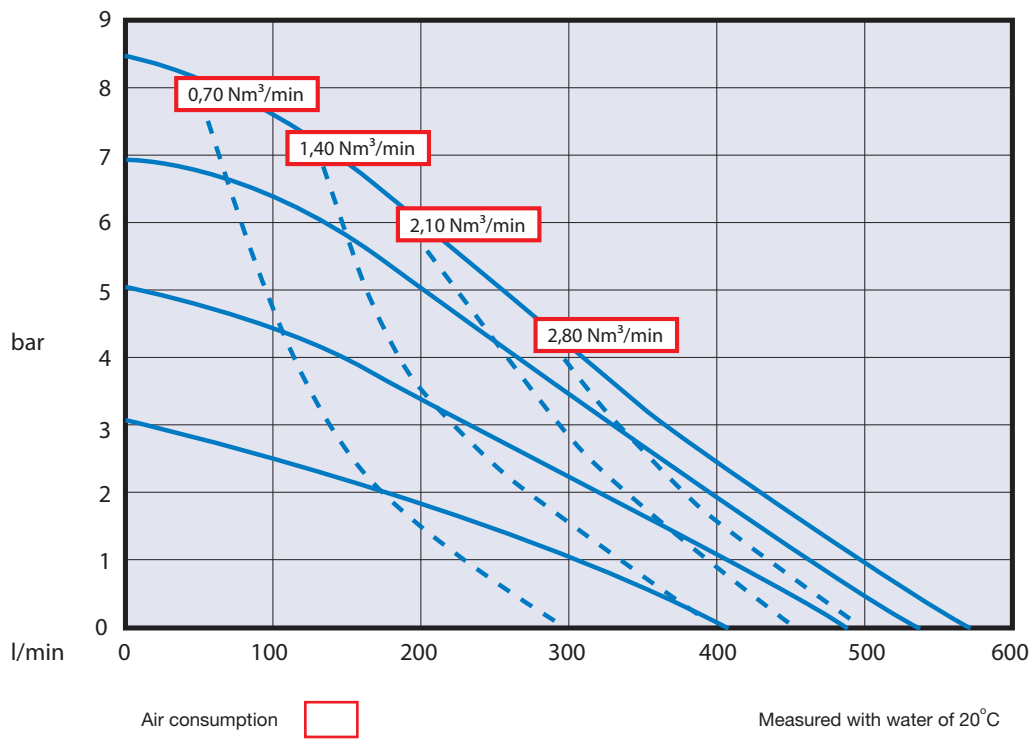
VA50AA SS BN BN TB OO

NOTE not all combinations are available

⊗ II 2 GD c IIC T4

VERDERAIR

VA50 metallic



VERDERAIR

VA50 metallic

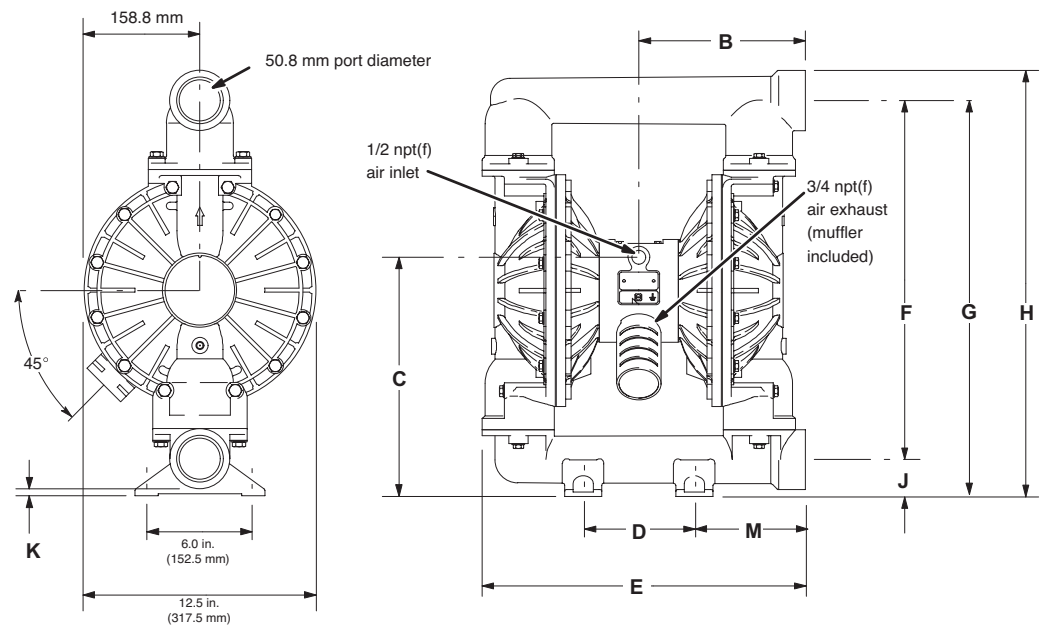


Dimensions in mm

| | Aluminium | Aluminium Extended * | Stainless steel (threaded connections) | Stainless steel (flanged connections) | Cast Iron |
|---|-----------|----------------------|--|---------------------------------------|-----------|
| B | 229 | 231 | 28 | 221 | 245 |
| C | 328 | 328 | 385 | 437 | 327 |
| D | 152 | 152 | 165 | 165 | 152 |
| E | 443 | 442 | 459 | 459 | 469 |
| F | 506 | 581 | 565 | 565 | 491 |
| G | 557 | 632 | 631 | 681 | 542 |
| H | 598 | 673 | 668 | 757 | 578 |
| J | 51 | 51 | 64 | 114 | 51 |
| K | 10 | 10 | 24 | / | 14 |
| L | 152 | 152 | 152 | 279 | 152 |
| M | 152 | 152 | 146 | 147 | 178 |

* Aluminium extended pump matches the inlet to outlet dimensions of Wilden and Aro aluminium pumps. This will help for ease of installation during upgrades.

Dimensions B, C, F, G, H and M can vary by up to 1/4 in. (6.3 mm) depending on the seat and diaphragm material fitted in the pump.



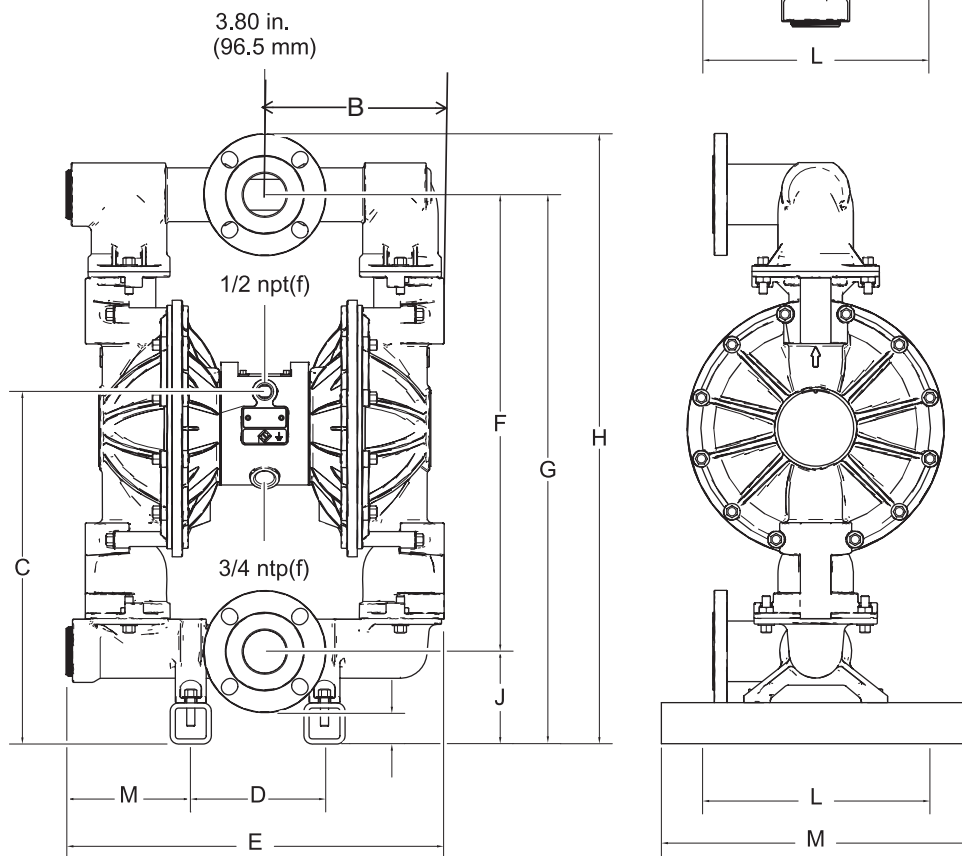
VERDERAIR

VA50 metallic

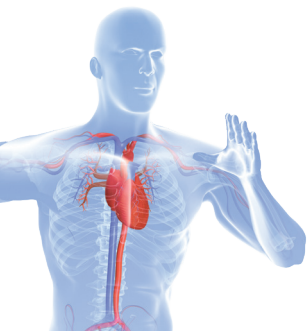


Dimensions B, C, F, G, H and M can vary by up to 1/4 in. (6.3 mm) depending on the seat and diaphragm material fitted in the pump.

PUMP MOUNTING HOLE PATTERN
4X 0.56 in. (14.2 mm)



110-VA-19_Datasheets_VA50MET_2019_EU



Find your local supplier at www.verderair.com

For construction, installation and floor mounting drawings please contact your local authorised Verderair® distributor.