

73 SERIES

Hygienic Multi Stack Housing



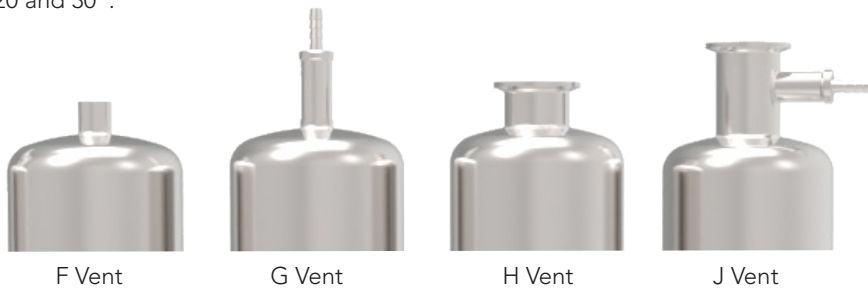
The **73 Series** hygienic multi stack cartridge housing is available with 3 and 5 element stacks up to 30" long. The 'T' style configuration with dome cover is equipped with a Cast Vee clamp as standard for pressures ranging from 6 - 10 bar g.

This leg mounted, free standing housing with domed cover is the ideal choice for all hygienic systems when using Single Open End plug in style cartridges. The simple lightweight dome allows full and easy access to the cartridges for rapid changeouts and the housings can be dismantled for full cleandowns. Bolted closures are an option available for all models.

The **73 Series** housing will accept the full range of Amazon Single Open End industry standard cartridges ranging from 0.03 to 40µm with nominal lengths of 10, 20 and 30".

Product Features

- 'T' style construction with a high specification hygienic finish with electropolish inside and out
- Quick release Vee clamp closure for ease of access
- Designed to allow complete strip down for ease of cleaning.
- No loose internals for trouble free operation
- 4 different vent options
- PED and ATEX compliant
- CE marked



F Vent

G Vent

H Vent

J Vent

Features and Benefits

- Standard single open end cartridge fitting, using either code 8 or Bayonet lock code 7 for forward and reverse flow
- 316L construction for maximum corrosion resistance.
- Every housing is etched with a serial number for full traceability.
- Wide range of options available for connection size and style, cartridge lengths and materials of construction
- Full certification available, PED and ATEX compliant, CE Marked

Product Range

Amazon Filters design and manufacture an extensive range of liquid filtration systems, providing one of the widest selections of filtration vessels, depth filters and pleated cartridges available today, ensuring excellent process and filter compatibility. As one of Europe's leading manufacturers of filtration systems, Amazon Filters is able to offer a solution to meet all filtration requirements. Amazons' filters are manufactured in clean room conditions and all products come with detailed Product Validation Guides and Technical Support documentation.



AMAZON

73 Series Technical Data

Maximum Operating Conditions

Pressure Range: Liquid: 10 bar g
Gas: 7303 - 7 bar g
7305 - 6 bar g
Temperature Range: -10°C / 150°C

Materials of Construction

Body and Closure: 316L St. Steel
Clamp: 304 St. Steel

Finish

Vessel: 0.8µm Ra mechanically polished inside and out + final electropolish

Connections

Inlet/Outlet: 7303 - 1½" Tri Clamp
7305 - 2" Tri Clamp

Model	Dimensions					Volume (Litres)	Dry Weight
	A	B	C	D	E		
730317AF15L1PS	643	176	-	323	400	11.4	18.2
730327AF15L1PS	897	176	-	323	650	19.4	21.2
730337AF15L1PS	1151	176	-	323	900	27.4	24.2

Model	Dimensions					Volume (Litres)	Dry Weight
	A	B	C	D	E		
730517AF20L1PS	645	150	-	350	350	14.2	19.0
730527AF20L1PS	899	150	-	350	600	23.3	22.5
730537AF20L1PS	1153	150	-	350	850	32.4	26.0

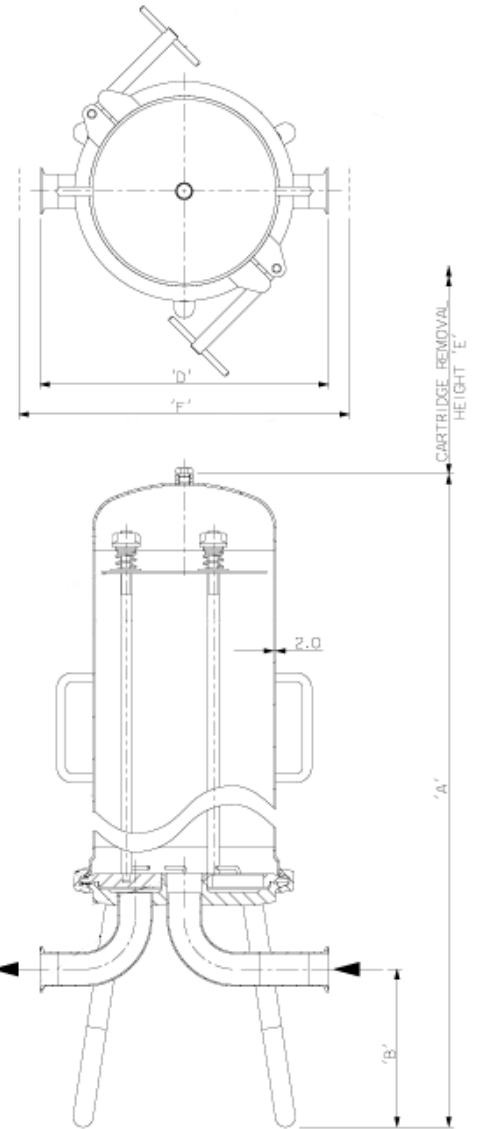
PED Status: Compliant with 97/23/EC

Fluid Groups: Gas Group 2
Liquids Group 1 + 2

Marking: CE
Exceptions: Group 1 liquids - Explosive

ATEX: Compliant 94/9/EC, level CE Ex II 2 GD c X

Technical drawings for each individual housing showing dimensions, volume, weights, maximum temperatures and design pressures available on request.



Ordering Guide

No of Stacks	Cartridge Length	Cartridge End Cap Style	Closure Style	Vent Options	Connection	Connection Type	Materials	Finish	Seal
7303 - 3 7305 - 5	1 - Single 10" 2 - Double 20" 3 - Triple 30"	7 - Code 7	A - Cast Vee Clamp	F - ¼" BSPF vent G - ¼" hygienic vent H - 1½" TC vent only, No Clamp/blank J - 1½" TC with ¼" Hygienic vent, No Clamp / blank	15 - 1½" (7303) 20 - 2" (7305)	L - Tri Clamp M - DIN11851 Coupling N - RJTM Coupling P - SMSM Coupling Q - Stub Pipe R - IDFM Coupling	1 - 316 st.st (L Grade)	P - 0.8µm Ra internal polish + Electropolish	S - Silicone F - FEP/Silicone V - Viton

Example: 730517AF20L1PS = 73 Series, 5 x 10" Code 7 cartridge, cast vee clamp closure, ¼" BSPF vent, 2" Tri Clamp connections. St. Steel construction with 0.8Ra Internal polish + electropolish.

AMAZON FILTERS LTD.

ALBANY PARK ESTATE, FRIMLEY ROAD
CAMBERLEY, SURREY, GU16 7PG
ENGLAND

Tel. +44 (0) 1276 670600

Fax. +44 (0) 1276 670101

Email. sales@amazonfilters.co.uk

Web. www.amazonfilters.com