



Compression Load Cell CL (CL-Ex)

NEW hygienic (aseptic) compression load cell types CL and CL-Ex in EHEDG compliant design. These robust digital compression load cells are produced in electropolished stainless steel and hermetically sealed to IP68 for hygienic weighing installations, installations in tough environments and general process weighing. The load cells can be supplied with a hygienic base plate in AISI316. The compression load cell type CL-Ex can be used in ATEX (Ex) and IECEx applications (Zone 1, 2, 21 and 22)

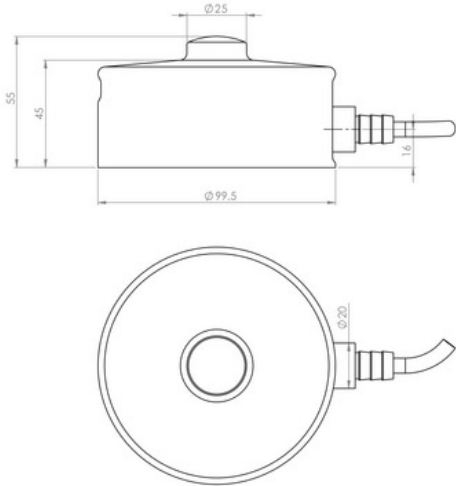
Type:	CL (Non-ATEX) CL-Ex (ATEX)
Capacity (Emax):	50, 100, 150, 250, 500, 1000, 1500, 2000, 3000, 4000, 5000kg
Accuracy:	Industrial 0.10%, Precision 0.05%, High Precision 0.025%
Overload Tolerance:	Up to 500% of rated capacity

- EHEDG compliant hygienic (aseptic) design without gaps or edges for easy cleaning to minimize the risk of bacteria growth
- Developed and manufactured in Denmark
- Low profile and hygienic design
- High tolerance of up to 1000% overload
- Robust capacitive technology
- Hermetically sealed to IP68
- Electropolished stainless steel 1.4542 (17-4 PH)
- Laser welded with Duplex 1.4462 stainless steel
- ATEX and IECEx certified (Zone 1, 2, 21, 22)
- Easy mechanical and electrical installation

- High accuracy, High resolution
- Capacity (Emax): 50, 100, 150, 250, 500, 1000, 1500, 2000, 3000, 4000, 5000kg
- Accuracy: Industrial 0.10%, Precision 0.05%, High Precision 0.025%
- Load cell cable length up to 100meters
- Load cell calibration independent of cable length
- Load cell cable replaceable on-site
- Withstands welding voltages and ESD
- Can be used in both ATEX / IECEx and non-ATEX installations
- Can be supplied with Mud resistant and Halogen free cables for offshore installation

- [CL \(CL-Ex\) Datasheet](#)
- [Digital Compression Load Cell Type CL Dimension PDF](#)
- [Load cell type CL CL-Ex Installation without base plate](#)
- [Load cell type CL CL-Ex Installation with standard base plate](#)
- [Load cell type CL CL-Ex Installation with hygienic base plate](#)
- [Load cell type CL CL-Ex installation for tank bracket](#)
- [Hygienic load cell type CL shown with tank leg](#)
- [ATEX Certificate SEV14 ATEX 0171 X \(GERMAN\) PDF](#)
- [ATEX Certificate SEV14 ATEX 0171 X \(ENGLISH\) PDF](#)
- [CL CL-Ex Compression Load Cell STEP file \(right click - save link as\)](#)
- [CL CL-Ex with Hygienic Base Plate JPG](#)
- [CL Hygienic Base Plate dimensions PDF](#)
- [Guideline Correct Mounting of BNC Connector \(UK\) PDF](#)

- **VIDEO - Correct Mounting of BNC Connector (UK)**



Parameter	Unit	0.10%	0.05%	0.025%
Rated capacity (E_{max})	kg	50, 100, 150, 250, 500, 1000, 1500, 2000, 3000, 4000, 5000		
Safe overload limit	% of E_{max}	200 to 500		
Safe sideload limit	% of E_{max}	300 to 1000		
Minimum dead load	% of E_{max}	0		
Accuracy	% of E_{max}	0.100	0.050	0.025
Repeatability	% of E_{max}	0.030	0.025	0.020
Hysteresis	% of E_{max}	0.055	0.040	0.020
Creep 30 min.	% of E_{max}	0.060	0.040	0.040
Temperature effect on zero	% /10°C	0.060	0.055	0.055
Temperature effect on sensitivity	% /10°C	0.060	0.055	0.055
Compensated temperature range	°C	-10 to 50		
Operating temperature range	°C	-50 to 70 (100*)		
Deflection at E_{max}	mm	0.10		
Measuring rate	Hz	500		
Supply	Vdc	24Vdc ±5%		
Internal resolution	Bit	24		
Material		Stainless Steel 17-4 PH and AISI 316		
Protection		IP68		
Cable		6meter standard coaxial RG-58 (Ø6mm) with BNC connector		
Maximum cable length	m	100		
Weight	kg	2.0		
Output options		EtherNet/IP, PROFINET, EtherCAT, Profibus DP, Modbus TCP/IP, DeviceNet, RS485, 4-20mA, 0-10Vdc		

* with Teflon cable

- Tank weighing
- Process weighing
- Big-bag equipment
- Filling and dosing
- Offshore
- Level measurement
- Platform scales
- Hopper scales
- Heavy duty applications
- Belt scales

- ATEX and IECEx (Zone 1, 2, 21, 22) version type CL-Ex
- ATEX II 2G Ex ia IIC T6 Gb / ATEX II 2D Ex ia IIIC T85°C Db
- Standard and hygienic base plate available
- Load cell cable length 10, 20, 50 or 100meters
- Mud resistant and Halogen free cables for offshore installation
- Special PE load cell cable available for freezing low temperature (can be used down to -50 degrees Celsius)
- Special Teflon load cell cable available for very high temperature (can be used up to 100 degrees Celsius)