



Beam Load Cell BL (BL-Ex)

Robust digital beam load cell in a hygienic (aseptic) design for dynamic weighing, process weighing, filling, packaging and general weighing in food, pharma and life science applications. The new hygienic EHEDG compliant design in stainless steel is without gaps or edges for easy cleaning in order to minimize the risk of bacteria growth. The BL/BL-Ex load cell is OIML and NTEP certified and certified for installation in ATEX (Ex) and IECEx environment in Zone 1, 2, 21 and 22.

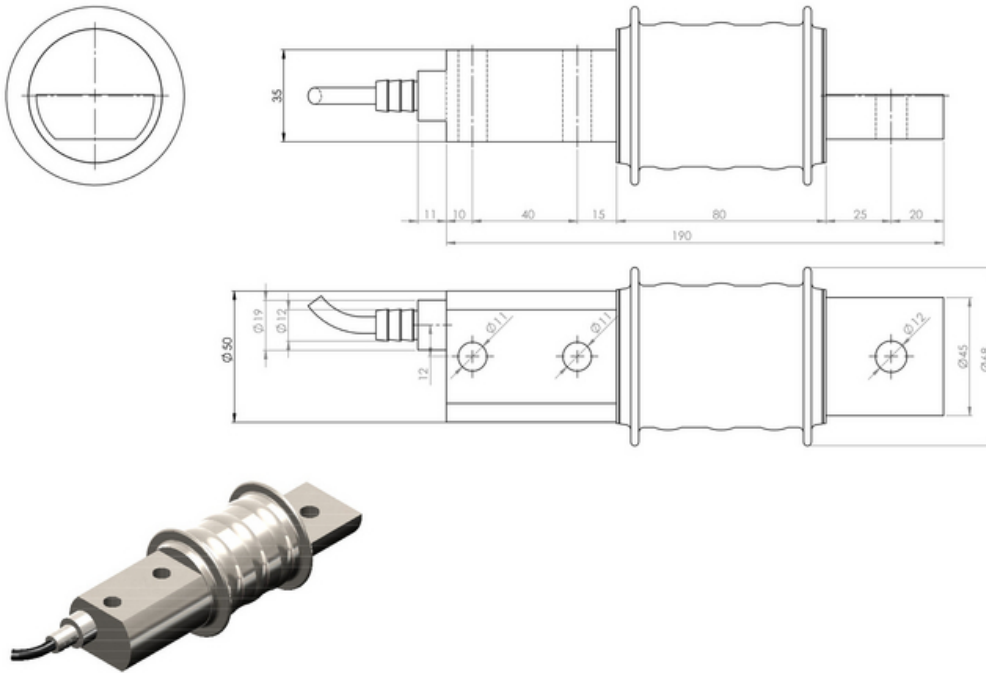
Type:	BL (Non-ATEX) BL-Ex (ATEX)
Capacity (Emax):	10, 20, 30, 50, 100, 150, 250, 500, 1000kg
Accuracy:	Industrial 0.10%, Precision 0.05%, High Precision 0.025%
Overload Tolerance:	500% at 5kg, 200% at 1000kg capacity

- Developed and manufactured in Denmark
- New hygienic (aseptic) design without gaps or edges for easy cleaning to minimize the risk of bacteria growth
- High tolerance of up to 1.000% overload
- Robust capacitive technology
- Hermetically sealed to IP68
- Electropolished stainless steel 1.4542 (17-4 PH)
- ATEX and IECEx certified (Zone 1, 2, 21, 22)
- Withstands welding voltages and ESD

- Load cell cable length up to 100meters
- High accuracy, High resolution
- Capacity (Emax): 10, 20, 30, 50, 100, 150, 250, 500, 1000kg
- Accuracy: Industrial 0.10%, Precision 0.05%, High Precision 0.025%
- Load cell cable length up to 100meters
- Load cell calibration independent of cable length
- Load cell cable replaceable
- Easy mechanical and electrical installation
- OIML and NTEP approvals

- [BL \(BL-Ex\) Datasheet](#)
- [Eilersen hygienic beam load cell shown with 100kg mounting kit](#)
- [Eilersen hygienic beam load cell shown with 500kg mounting kit](#)
- [Digital Beam Load Cell Type BL BL-Ex Dimensions PDF](#)
- [BL BL-Ex Beam Load Cell STEP 3D CAD File \(right click -> "Save Link As..."\)](#)
- [Beam Load Cell with Mounting Kit 0-100kg PDF](#)
- [Beam Load Cell with Mounting Kit 0-100kg 3D STEP \(right click -> "Save Link As..."\)](#)
- [Beam Load Cell with Mounting Kit 150-500kg PDF](#)
- [Beam Load Cell with Mounting Kit 150-500kg 3D STEP \(right click -> "Save Link As..."\)](#)
- [Beam Load Cell with Mounting Kit 1000kg PDF](#)
- [Beam Load Cell with Mounting Kit 1000kg STEP \(right click -> "Save Link As..."\)](#)
- [SEV 18 ATEX 0144 X \(ENGELSK\) ATEX Certificate PDF](#)
- [IECEx SEV 18.0016 X Certificate of Conformity PDF](#)

- [Guideline Correct Mounting of BNC Connector \(UK\) PDF](#)
- [VIDEO - Correct Mounting of BNC Connector](#)
- [NTEP certificate BL-BL-Ex](#)
- [OIML certificate BL BL-Ex](#)



Parameter	Unit	0.10%	0.05%	C3 0.025%*
Rated capacity (E_{max})	kg	10, 20, 30, 50, 100, 150, 250, 500, 800, 1000		
Safe overload limit	% of E_{max}	200 to 1000		
Safe sideload limit	% of E_{max}	300 to 1000		
Combined accuracy	% of E_{max}	0.100	0.050	0.025
Repeatability	% of E_{max}	0.018	0.015	0.010
Hysteresis	% of E_{max}	0.033	0.020	0.017
Creep 30 min.	% of E_{max}	0.035	0.025	0.017
Temperature effect on zero	% /10°C	0.050	0.035	0.035
Temperature effect on sensitivity	% /10°C	0.050	0.035	0.035
Compensated temperature range	°C	-10 to 50		
Operating temperature range	°C	-50 to 60		
Deflection at E_{max}	mm	max 0.10		
Measuring rate	Hz	500		
Supply	Vdc	24Vdc \pm 5%		
Internal resolution	Bit	24		
Material		Stainless Steel 17-4PH and AISI316		
Protection		IP68		
Cable		6meter standard coaxial RG-58 (\varnothing 6mm) with BNC connector		
Maximum cable length	m	100		
Weight	kg	2.5		

Output options: EtherNet/IP, PROFINET, EtherCAT, Profibus DP, Modbus TCP/IP, DeviceNet, RS485, 4-20mA, 0-10Vdc

* higher accuracies available on request up to C4

- Dynamic weighing

- Process weighing
- Tanks and vessels
- Vibration sorters
- Filling and dosing
- Platform scales
- Packaging machines
- Hopper scales
- Belt scales
- Conveyor scales
- Big-bag equipment
- On-board weighing

- ATEX and IECEx (Zone 1, 2, 21, 22) version type BL-Ex
- ATEX II 2G Ex ia IIC T6 Gb / ATEX II 2D Ex IIIC T85°C Db
- Mounting kits available
- Load cell cable length 10, 20, 50 or 100meters
- Mud resistant and Halogen free cables for offshore installation
- Special PE load cell cable available for freezing low temperature (can be used down to -50 degrees Celsius)
- Special Teflon load cell cable available for very high temperature (can be used up to 100 degrees Celsius)