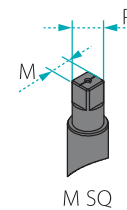
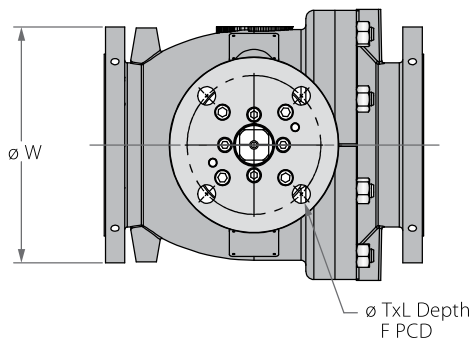
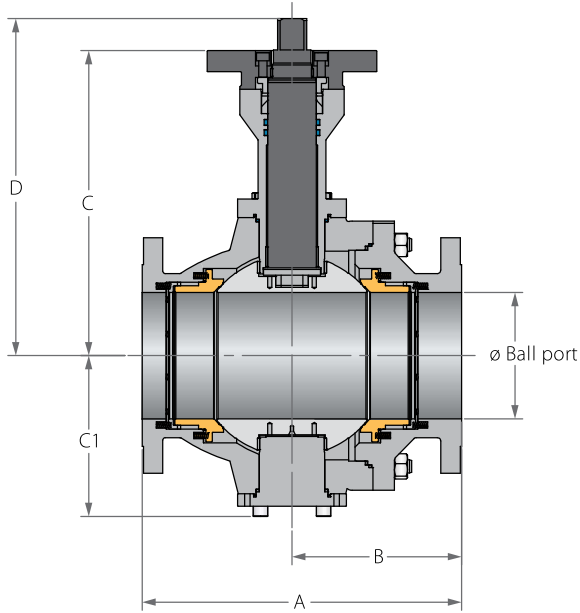


Z83T 2"-6" | DN50-DN150 | CLASS 600

High Temperature Trunnion Ball 2 Piece Up to 538°C (1000°F)

Valve dimensions

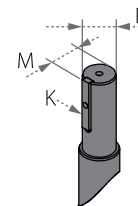
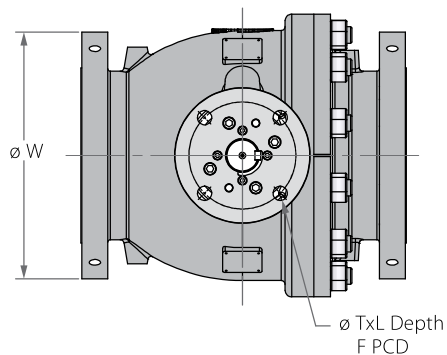
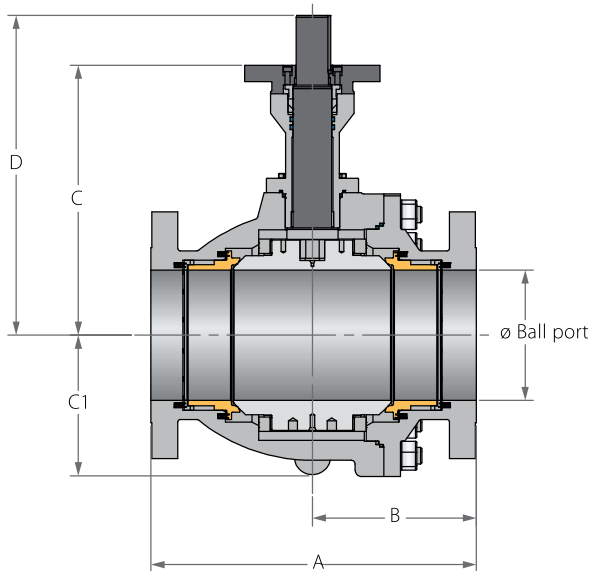


Full port	Unit	Ball port	A	B	C	C1	D	W	M SQ	P SQ	F	TxL	Weight kg/lb	Kv/Cv	
DN50	mm	49.00	292.00	131.00	272.00	119.00	291.00	165.00	16.90	21.30	(F12)	125.00	M12X15	41	329
2"	inch	1.93	11.50	5.16	10.71	4.69	11.46	6.50	0.67	0.84		4.92	(4 holes)	90	380
DN80	mm	74.00	356.00	161.00	306.00	160.00	330.00	210.00	21.90	26.90	(F12)	125.00	M12X15	76	874
3"	inch	2.91	14.02	6.34	12.05	6.30	12.99	8.27	0.86	1.06		4.92	(4 holes)	168	1010
DN100	mm	100.00	432.00	216.00	334.00	184.00	364.00	275.00	26.90	34.90	(F16)	165.00	M22X25	132	1557
4"	inch	3.94	17.01	8.50	13.15	7.24	14.33	10.83	1.06	1.37		6.50	(4 holes)	291	1800
DN150	mm	150.00	559.00	278.00	386.00	220.00	424.00	355.00	35.90	46.20	(F16)	165.00	M22X25	340	3893
6"	inch	5.91	22.01	10.94	15.20	8.66	16.69	13.98	1.41	1.82		6.50	(4 holes)	750	4500



High Temperature Trunnion Ball 2 Piece Up to 538°C (1000°F)

Valve dimensions



Full port	Unit	Ball port	A	B	C	C1	D	W	P	M	K	F	TxL	Weight kg/lb	Kv/Cv	
DN200	mm	201.00	660.00	330.00	418.00	263.00	515.00	420.00	72.00	76.50	20.00	(F25)	254.00	18x25	460	7742
8"	inch	7.91	25.98	12.99	16.46	10.35	20.28	16.54	2.83	3.01	0.79		10.00	(8 holes)	1014	8950
DN250	mm	252.00	787.00	400.00	519.00	310.00	616.00	510.00	72.00	76.50	20.00	(F30)	298.00	22x30	704	12543
10"	inch	9.92	30.98	15.75	20.43	12.20	24.25	20.08	2.83	3.01	0.79		11.73	(8 holes)	1552	14500
DN300	mm	303.00	838.00	419.00	598.00	344.00	695.00	560.00	72.00	76.50	20.00	(F30)	298.00	22x30	890	19809
12"	inch	11.93	32.99	16.50	23.54	13.54	27.36	22.05	2.83	3.01	0.79			(8 holes)	1962	22900